



USE ONLY WITH  Hurricane  
**450kg**  
RATED **INDUSTRIAL**  
1.8m SCAFFOLD PLATFORM: HW0633

- STEEL CONSTRUCTION
- 2 GUARD RAILS, 2 GATES
- EASY TO INSTALL SAFETY RAILS
- NO TOOLS REQUIRED

### READ BEFORE BEGINNING ASSEMBLY

FAILURE TO READ AND FULLY UNDERSTAND ALL SAFETY INSTRUCTIONS AND ASSEMBLY COULD RESULT IN SERIOUS INJURY OR DEATH.

#### **DANGER**

#### METAL CONDUCTS ELECTRICITY:

DO NOT use this Guard Rail where electrical hazards exist.  
DO NOT use this Guard Rail where contact may be made with power lines or other live electrical circuits.

#### **NOTE:**

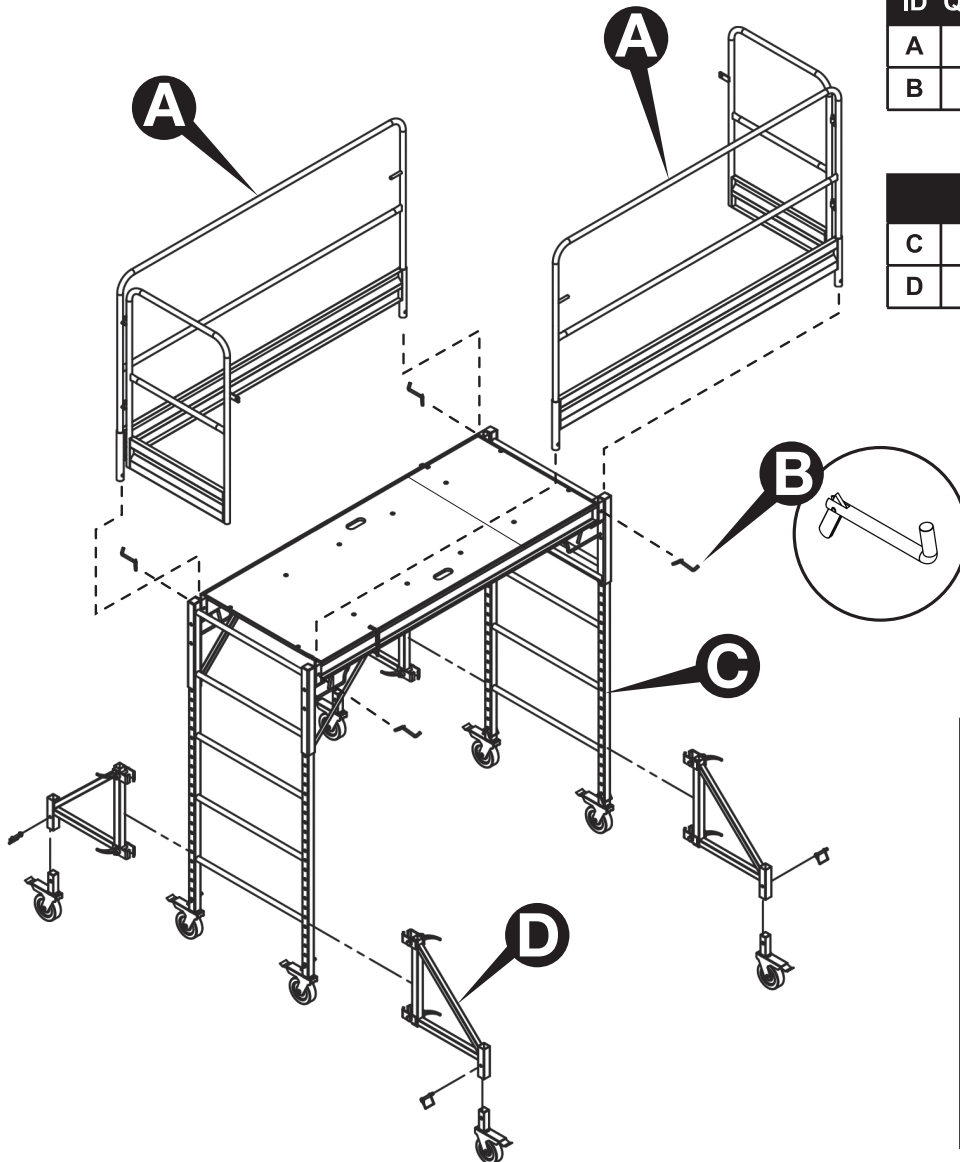
When using the Hurricane™ 1.8m 450kg Scaffold Platform with Trap Door (HW0633) and the working height is over 0.9m it is recommended that the Hurricane™ Outrigger Set with Castor Wheels (HW0364) and this Hurricane™ Guard Rail (HW0635) (sold separately) are used in conjunction.

### OPERATION AND SAFETY:

- Do not use this equipment if you are in poor health, tire easily or are subject to fainting spells, unsure of your balance, are using medication, drugs or alcohol, are pregnant or physically handicapped.
- Always use scaffold and Guard Rail in conformity with local legislation.
- Always place scaffold and Guard Rail on a firm level surface.
- This Hurricane™ Guard Rail can only be used on the Hurricane™ 1.8m 450kg Scaffold Platform Trap Door (HW0633).
- DO NOT use this Guard Rail on any other scaffold.
- Keep body centred within Guard Rail at all times.
- Never overreach the base footprint of the scaffold or Guard Rail.
- Always wear slip-resistant shoes when on the scaffold.
- Maintain Guard Rail in good working condition and keep it clean and free from grease, oil and other slippery materials.
- If Guard Rail shows signs of damage or wear, replace immediately.
- Guard Rail posts must be pinned to scaffold frame with lock pins.
- DO NOT use Guard Rails to increase working height in any way.
- DO NOT stand on Guard Rails.
- DO NOT push against Guard Rails to exert additional horizontal pressure when performing work such as drilling, etc.
- Always keep work area around scaffold and Guard Rail clear of people to avoid injury from falling tools and materials.
- DO NOT use scaffold & Guard Rails if there is a chance of contact with live electrical power.
- Never place anything under or attach anything to a scaffold to increase height or to adjust to uneven surfaces.
- Acids are corrosive and can seriously affect strength. Do not expose to corrosive substances.
- Keep scaffold and Guard Rail free of debris and unnecessary equipment.
- Always keep body centred inside Guard Rail structure or scaffold.
- Remove or fasten all tools, material or equipment before moving. Use extra caution when moving to avoid tipping.
- Never try moving the scaffold or Guard Rail while standing on it.



#### ASSEMBLY INSTRUCTIONS:

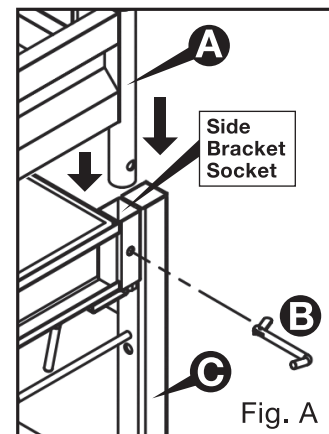


#### HW0635 BOX CONTENTS

| ID | QTY. | DESCRIPTION                      |
|----|------|----------------------------------|
| A  | 2    | Guard Rail Panels (incl 2 Gates) |
| B  | 4    | Lock Pins                        |

#### OTHER PRODUCTS (NOT IN BOX)

|   |   |  |
|---|---|--|
| C | - | Hurricane™<br>1,8m 450kg Scaffold Platform with Trap Door (HW0633) |
| D | - | Hurricane™<br>Outrigger Set with Castor Wheels (HW0364)            |



#### Step

Install **Guard Rail Panels (A)** into **Side Bracket Sockets** and secure with **Lock Pins (B)**  
(See Fig. A)