

## ASSEMBLY INSTRUCTIONS

**!** Failure to read and follow all instructions and warnings may result in injuries or death.

**\*** Two person assembly recommended

### ASSEMBLY PREPARATION: **IMPORTANT: ASSEMBLE ON A LEVEL, CLEAN SURFACE**

TWO PERSON  
(RECOMMENDED)



SAFETY GLOVES



SAFETY GLASSES



SCREWDRIVER (PHILLIPS HEAD)

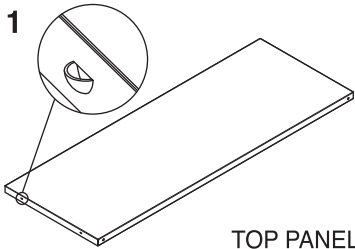


SCREWDRIVER (FLAT HEAD)



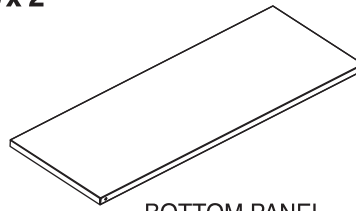
### LIST OF PARTS: **PANELS**

**A** x 1



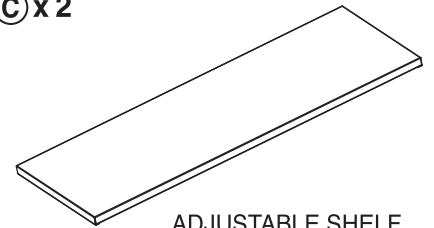
TOP PANEL

**B** x 2



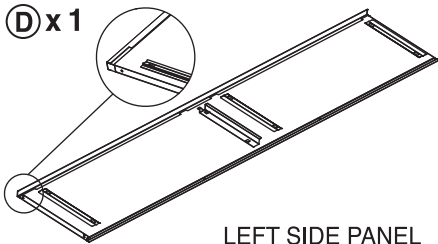
BOTTOM PANEL

**C** x 2



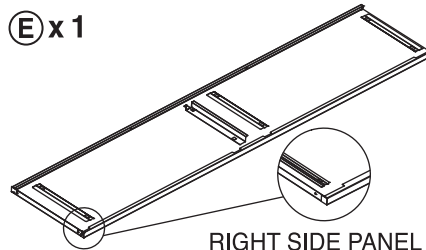
ADJUSTABLE SHELF

**D** x 1



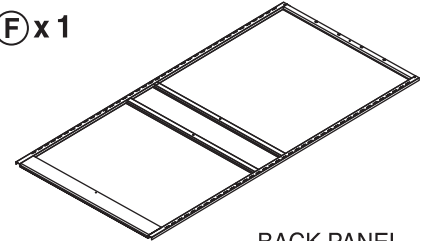
LEFT SIDE PANEL

**E** x 1



RIGHT SIDE PANEL

**F** x 1



BACK PANEL

### SAFETY:



- Read these instructions carefully and thoroughly. Keep these instructions.
- During assembly, keep small parts out of reach of children.
- Keep packaging and plastic bags away from children for fear of suffocation.
- When unpacking the product, take out all parts and place on top of the carton or another clean surface.
- Before assembly, compare all the unassembled parts with the 'List of Parts' diagrams below, making sure all parts are present.
- Clear the work area of any potential hazards before commencing work and the assembly process.
- Before use, make sure this product is assembled as shown in the instructions.

### WARNING:



- Always wear gloves when assembling the unit to prevent injury.
- Never exceed the maximum shelf load of 40kg.
- Load smaller stable items inside the top double doors compartment, heavier and bulkier items should be stored inside the lower double doors compartment.
- Loads on shelves must be evenly distributed so that no harm is done to the shelves.
- Spilled liquids can damage shelves. Replace shelves if this happens.
- When assembling, keep this product away from electric conduits.
- Only erect this product on horizontal, smooth floors, or stability and maximum load-bearing capacity cannot be guaranteed.
- Never allow children or adults to climb or hang on this product.
- For extra safety, cabinets should always be assembled with a suitable wall mounting bracket (sold separately).
- Please only use wall plugs, retaining screws and brackets which are suitable for your type of wall and the weight of the unit.

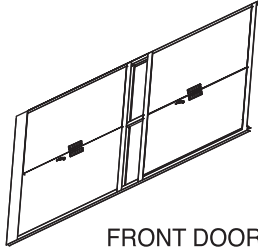
## ASSEMBLY INSTRUCTIONS

**!** Failure to read and follow all instructions and warnings may result in injuries or death.

\* Two person assembly recommended

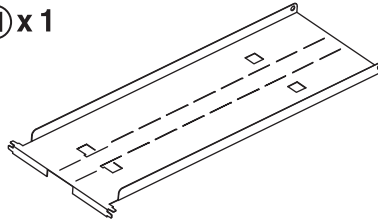
### LIST OF PARTS: PANELS (cont)

**G** x 1



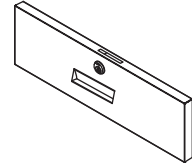
FRONT DOOR FRAME

**H** x 1



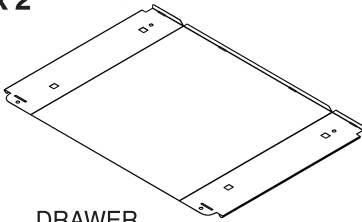
VERTICAL MIDDLE SLIDE FRAME

**I** x 2



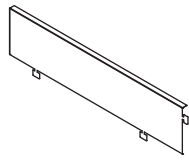
DRAWER FRONT PANEL

**J** x 2



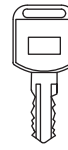
DRAWER

**K** x 2



DRAWER BACK PANEL

**L** x 2



KEY

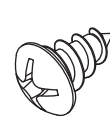
### INTERNAL PARTS:

**1** x 8



SHELF SUPPORT

**2** x 11



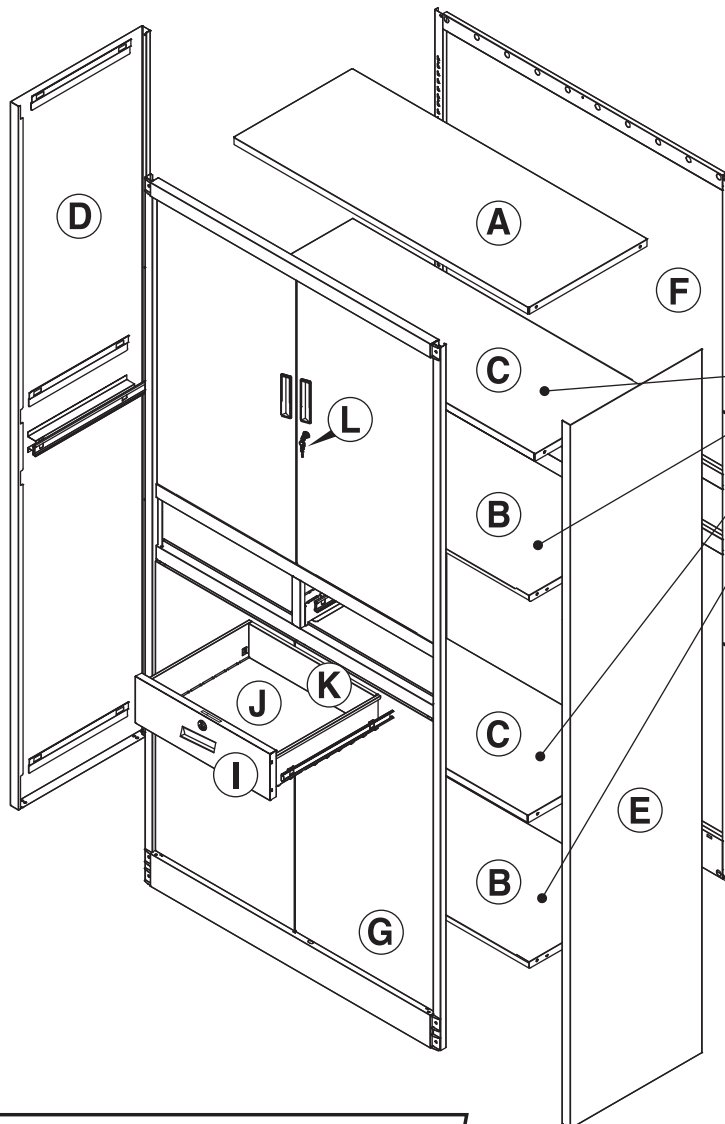
SCREW

**3** x 2 PAIRS



SLIDES

### PANEL PLACEMENT:



**LOAD RATING:** Never exceed the **maximum** shelf load of **40kg**

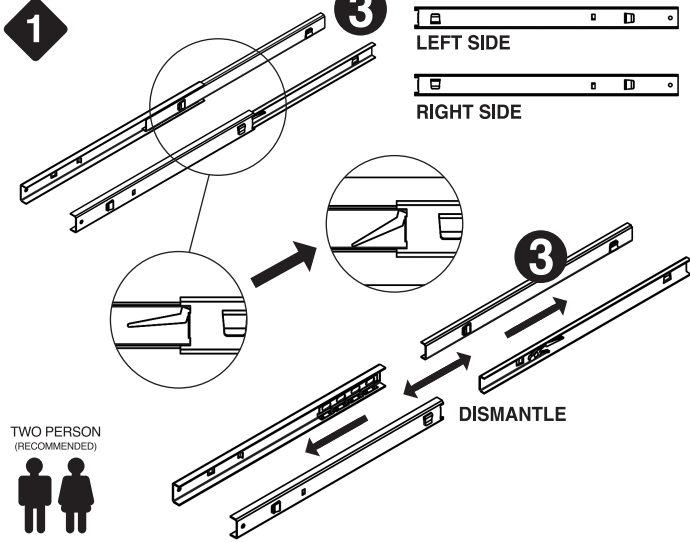
## ASSEMBLY INSTRUCTIONS

**!** Failure to read and follow all instructions and warnings may result in injuries or death.

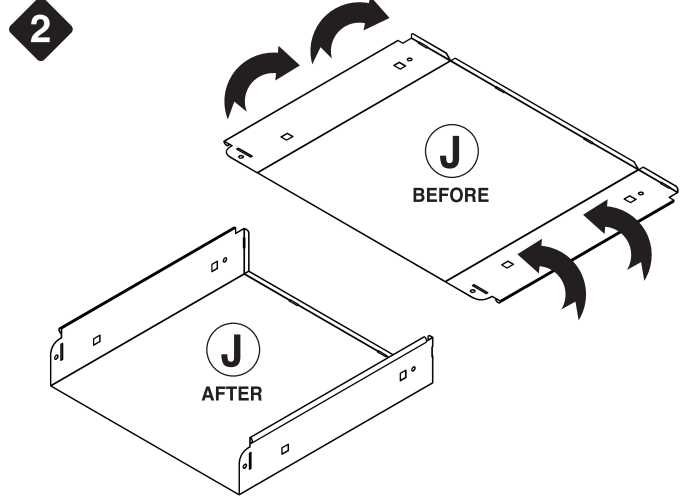
**\*** Two person assembly recommended

**ASSEMBLY: IMPORTANT: ASSEMBLE ON A LEVEL, CLEAN SURFACE**

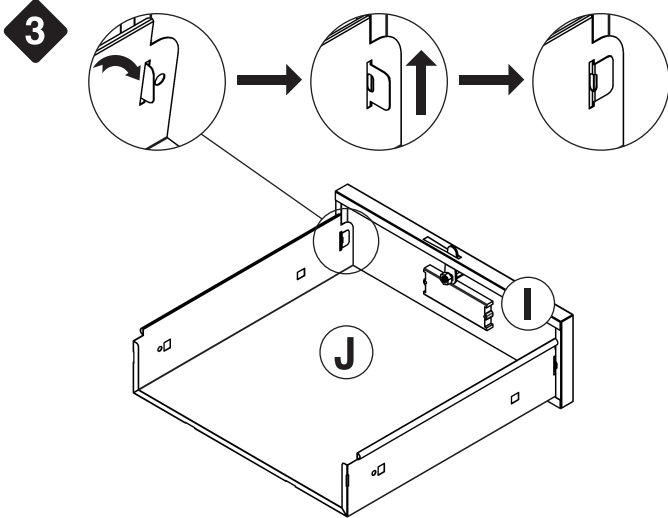
STEP



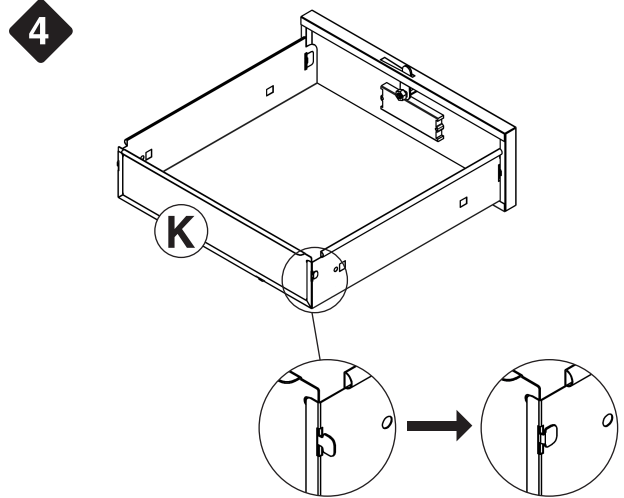
STEP



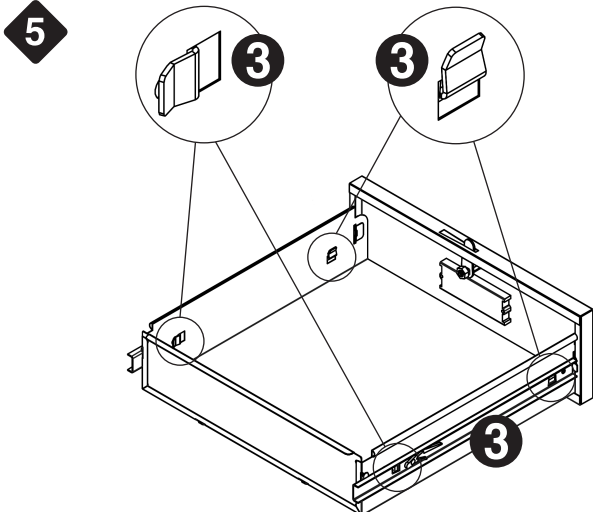
STEP



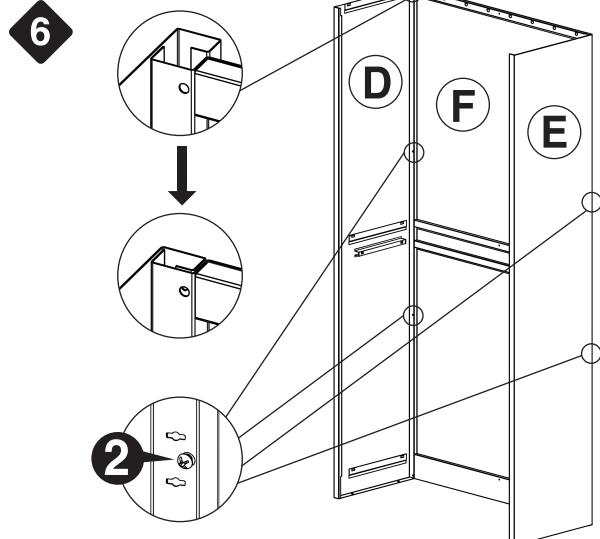
STEP



STEP



STEP



## ASSEMBLY INSTRUCTIONS

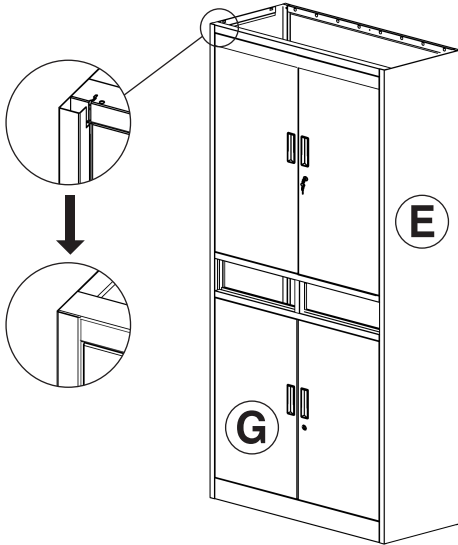
**!** Failure to read and follow all instructions and warnings may result in injuries or death.

**\*** Two person assembly recommended

**ASSEMBLY: IMPORTANT: ASSEMBLE ON A LEVEL, CLEAN SURFACE**

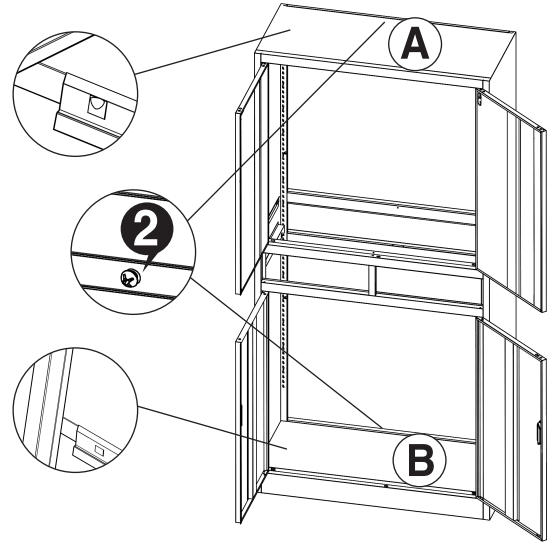
STEP

**7**



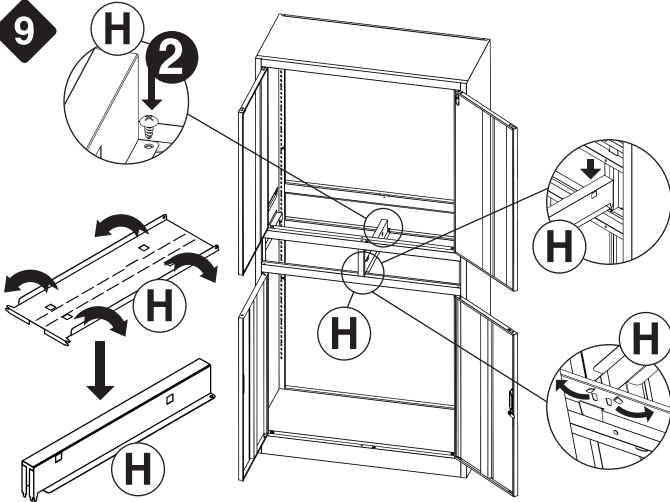
STEP

**8**



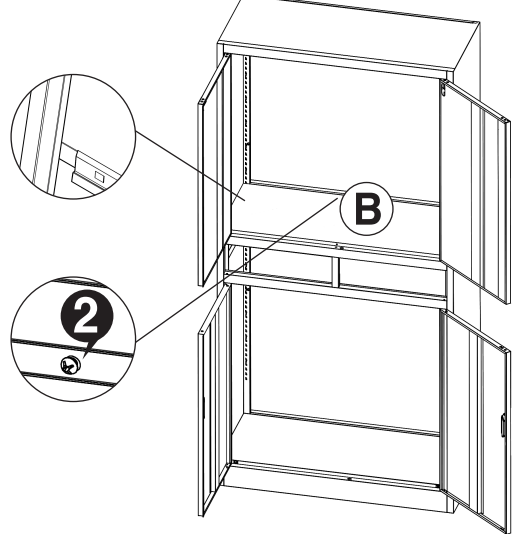
STEP

**9**



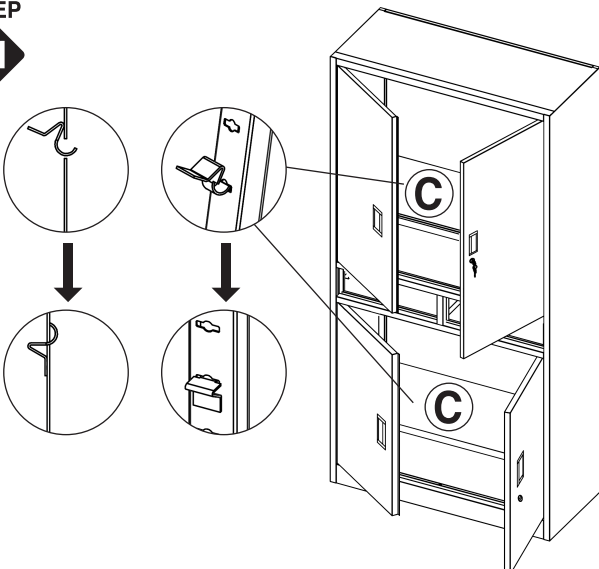
STEP

**10**



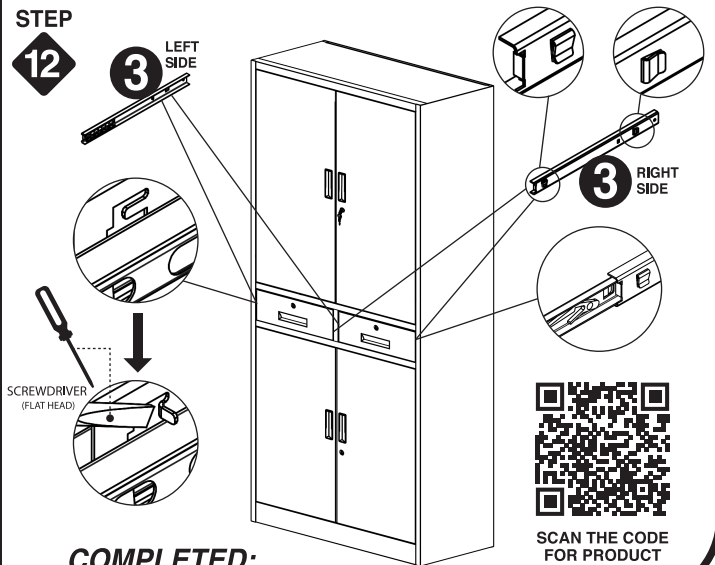
STEP

**11**



STEP

**12**



**COMPLETED:**



SCAN THE CODE  
FOR PRODUCT  
INFORMATION